

**0.25 HP**

RPM	RED	MODELO	BRIDA	F SERV
223	7.5	PMRV 50	C56	10.56
167	10	PMRV 50	C56	8.24
111	15	PMRV 50	C56	5.92
84	20	PMRV 50	C56	4.56
67	25	PMRV 50	C56	3.60
56	30	PMRV 50	C56	3.84
42	40	PMRV 50	C56	2.80
33	50	PMRV 50	C56	2.28
28	60	PMRV 50	C56	1.88
21	80	PMRV 50	C56	1.52
21	80	PMRV 63	C56	2.64
17	100	PMRV 50	C56	1.12
17	100	PMRV 63	C56	2.28

**1 HP**

RPM	RED	MODELO	BRIDA	F SERV
235	7.5	PMRV 63	C140	4.77
235	7.5	PMRV 63	C56	4.77
177	10	PMRV 63	C140	3.67
177	10	PMRV 63	C56	3.67
118	15	PMRV 63	C140	2.76
118	15	PMRV 63	C56	2.76
88	20	PMRV 63	C140	2.05
88	20	PMRV 63	C56	2.05
71	25	PMRV 63	C140	1.64
71	25	PMRV 75	C56	2.46
59	30	PMRV 63	C140	1.77
59	30	PMRV 63	C56	1.77
59	30	PMRV 75	C140	2.48
44	40	PMRV 63	C140	1.27
44	40	PMRV 63	C56	1.27
44	40	PMRV 75	C140	1.88
35	50	PMRV 75	C140	1.50
35	50	PMRV 90	C140	2.32
29	60	PMRV 75	C140	1.26
29	60	PMRV 90	C140	1.90
22	80	PMRV 90	C140	1.39
22	80	PMRV 110	C140	2.25
18	100	PMRV 90	C140	1.12
18	100	PMRV 110	C140	1.79

**3 HP**

RPM	RED	MODELO	BRIDA	F SERV
235	7.5	PMRV 75	C180	2.27
177	10	PMRV 75	C180	1.82
118	15	PMRV 75	C180	1.29
118	15	PMRV 90	C180	2.29
88	20	PMRV 75	C180	1.05
88	20	PMRV 90	C180	1.73
88	20	PMRV 110	C180	2.70
71	25	PMRV 90	C180	1.36
71	25	PMRV 110	C180	2.30
59	30	PMRV 90	C180	1.44
59	30	PMRV 110	C180	2.18
44	40	PMRV 110	C180	1.60
35	50	PMRV 110	C180	1.31

**0.5 HP**

RPM	RED	MODELO	BRIDA	F SERV
225	7.5	PMRV 50	C56	5.28
225	7.5	PMRV 63	C56	
169	10	PMRV 50	C56	4.12
169	10	PMRV 63	C56	
112	15	PMRV 50	C56	2.96
112	15	PMRV 63	C56	
84	20	PMRV 50	C56	2.28
84	20	PMRV 63	C56	
67	25	PMRV 50	C56	1.80
67	25	PMRV 63	C56	
56	30	PMRV 50	C56	1.92
56	30	PMRV 63	C56	
42	40	PMRV 50	C56	1.40
42	40	PMRV 63	C56	2.54
34	50	PMRV 50	C56	1.14
34	50	PMRV 63	C56	2.02
28	60	PMRV 63	C56	1.72
21	80	PMRV 63	C56	1.32
21	80	PMRV 75	C56	1.94
17	100	PMRV 63	C56	1.14
17	100	PMRV 75	C56	1.60

**1.5 HP**

RPM	RED	MODELO	BRIDA	F SERV
235	7.5	PMRV 63	C140	3.18
235	7.5	PMRV 63	C56	3.18
176	10	PMRV 63	C140	2.45
176	10	PMRV 63	C56	2.45
117	15	PMRV 63	C140	1.84
117	15	PMRV 63	C56	1.84
117	15	PMRV 75	C140	2.57
88	20	PMRV 63	C140	1.37
88	20	PMRV 63	C56	1.37
88	20	PMRV 75	C140	2.10
70	25	PMRV 63	C140	1.09
70	25	PMRV 63	C56	1.09
70	25	PMRV 75	C140	1.64
59	30	PMRV 63	C140	1.18
59	30	PMRV 63	C56	1.18
59	30	PMRV 75	C140	1.65
44	40	PMRV 75	C140	1.25
44	40	PMRV 90	C140	1.97
35	50	PMRV 75	C140	1.00
35	50	PMRV 90	C140	1.55
29	60	PMRV 90	C140	1.27
29	60	PMRV 110	C140	2.13
22	80	PMRV 110	C140	1.50
18	100	PMRV 110	C140	1.19

**5 HP**

RPM	RED	MODELO	BRIDA	F SERV
233	7.5	PMRV 75	C180	1.36
233	7.5	PMRV 90	C180	2.11
175	10	PMRV 75	C180	1.11
175	10	PMRV 90	C180	1.71
116	15	PMRV 90	C180	1.37
116	15	PMRV 110	C180	2.17
87	20	PMRV 90	C180	1.04
87	20	PMRV 110	C180	1.62
70	25	PMRV 110	C180	1.38
58	30	PMRV 110	C180	1.31

**0.75 HP**

RPM	RED	MODELO	BRIDA	F SERV
230	7.5	PMRV 63	C140	6.36
230	7.5	PMRV 63	C56	6.36
173	10	PMRV 63	C140	4.89
173	10	PMRV 63	C56	4.89
115	15	PMRV 63	C140	3.68
115	15	PMRV 63	C56	3.68
86	20	PMRV 63	C140	2.73
86	20	PMRV 63	C56	2.73
69	25	PMRV 63	C140	2.19
69	25	PMRV 63	C56	2.19
58	30	PMRV 63	C140	2.36
58	30	PMRV 63	C56	2.36
43	40	PMRV 63	C140	1.69
43	40	PMRV 63	C56	1.69
43	40	PMRV 75	C140	2.51
35	50	PMRV 63	C140	1.35
35	50	PMRV 63	C56	1.35
35	50	PMRV 75	C140	2.00
29	60	PMRV 63	C140	1.15
29	60	PMRV 63	C56	1.15
29	60	PMRV 75	C140	1.68
22	80	PMRV 75	C56	1.29
22	80	PMRV 90	C140	1.85
17	100	PMRV 90	C140	1.49
17	100	PMRV 110	C140	2.39

**2 HP**

RPM	RED	MODELO	BRIDA	F SERV
233	7.5	PMRV 63	C140	2.39
233	7.5	PMRV 63	C56	2.39
175	10	PMRV 63	C140	1.84
175	10	PMRV 63	C56	1.84
117	15	PMRV 63	C140	1.38
117	15	PMRV 63	C56	1.38
117	15	PMRV 75	C140	1.93
88	20	PMRV 63	C140	1.03
88	20	PMRV 63	C56	1.03
88	20	PMRV 75	C140	1.58
88	20	PMRV 90	C140	2.60
70	25	PMRV 75	C140	1.23
70	25	PMRV 90	C140	2.04
58	30	PMRV 75	C140	1.24
58	30	PMRV 90	C140	2.16
44	40	PMRV 90	C140	1.48
35	50	PMRV 90	C140	1.16
35	50	PMRV 110	C140	1.97
29	60	PMRV 110	C140	1.60
22	80	PMRV 110	C140	1.13

**7.5 HP**

RPM	RED	MODELO	BRIDA	F SERV
235	7.5	PMRV 110	C210	2.33
177	10	PMRV 110	C210	1.91
118	15	PMRV 110	C210	1.45
88	20	PMRV 110	C210	1.08

**10 HP**

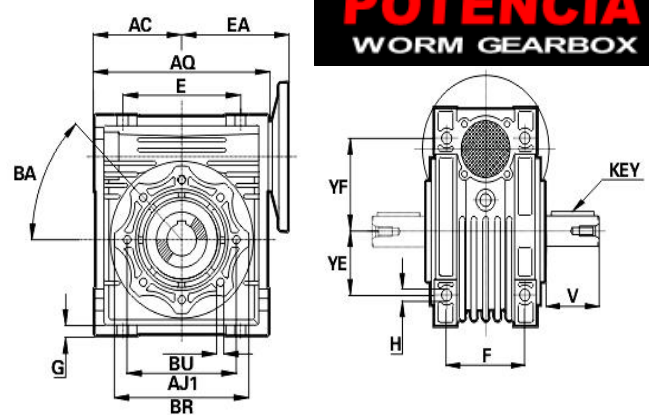
RPM	RED	MODELO	BRIDA	F SERV
235	7.5	PMRV 110	C210	1.75
177	10	PMRV 110	C210	1.44
118	15	PMRV 110	C210	1.09

Las velocidades de salida, potencias y Factores de Servicio son considerando motores de 1750 RPM a 60 hz

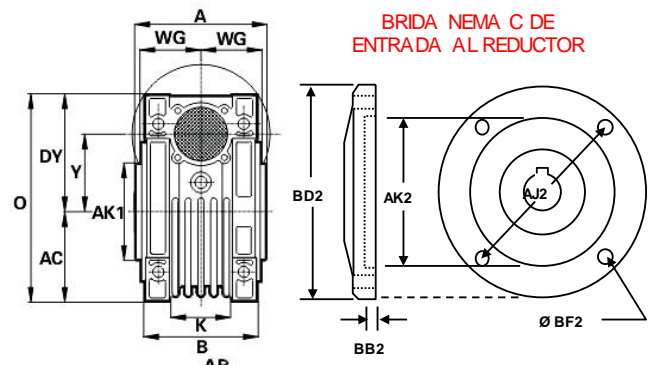
**DIMENSIONES GENERALES REDUCTORES SIMPLE REDUCCION**

Dim en mm	TAMANO DEL REDUCTOR XRV y XDRV, PRV y PMRV					
	40	50	63	75	90	110
A	78	92	112	120	140	155
AB	FB 97 FA 67	FB 120 FA 90	FB 112 FA 82	FB 111 FA 90	FD 151 FA 110	FA 131
AC	50	60	72	86	103	127.5
AJ	Φ 75	Φ 85	Φ 150	FB 165 FA 130	Φ 175	Φ 230
AJ1	75	85	95	115	130	165
AK	Φ 60	Φ 70	Φ 115	FB 130 FA 110	Φ 152	Φ 170
AK1	60 h8	70 h8	80 h8	95 h8	110 h8	130 h8
AQ	100	120	144	172	206	252
B	71	85	103	112	130	144
B2	164	199	219	247	309	324
BA	45°	45°	45°	45°	45°	45°
BB	4	5	6	6	6	6
BD	Φ 110	Φ 125	Φ 180	FB 200 FA 160	Φ 210	Φ 280
BE	7	9	10	13	13	15
BF	9	11	11	14	14	14
BR	87	100	110	140	160	200
BU	M6x10 (n.4)	M8x10 (n.4)	M8x14(n.8)	M10x18(n.8)		
CA	45°	45°	45°	45°	45°	45°
CE	95	110	142	FB 170 FA 160	200	260
DY	71.5	84	102	119	135	167.5
E	70	80	100	120	140	170
EA		90	105	126	143	173
EA1	60	74	90	105	125	142
F	60	70	85	90	100	115
G	6.5	7	8	10	11	15
H	7	8.5	8.5	11	13	14
I	100	100	150	200	200	250
IA	31.5	38.5	49	47.5	57.5	62
IL	10	10	10	20	20	25
IR	18	18	18	30	30	35
IV	14	14	14	25	25	30
K	43	49	67	72	74	---
O	121.5	144	174	205	238	295
R	20.5	28	28	31	38	45
RB	12.5	16	21.5	27	27	31
S	6	8	8	8	10	12
SB	4	5	6	8	8	8
U	18 h6	25 h6	25 h6	28 h6	35 h6	42 h6
UB	11 j6	14 j6	19 j6	24 j6	24 j6	28 j6
V	40	50	50	60	80	80
VA	43	53.5	53.5	63.5	84.5	84.5
VB	26	30	36	40	45	50
VN	23	30	40	50	50	60
Y	40	50	63	75	90	110
YE	35	40	50	60	70	85
YF	55	64	80	93	102	125
WG	36.5	43.5	53	57	67	74

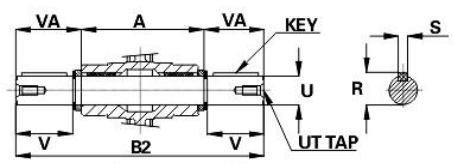
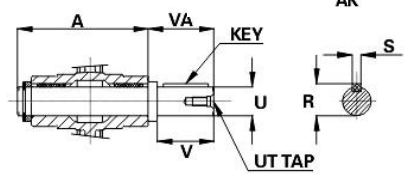
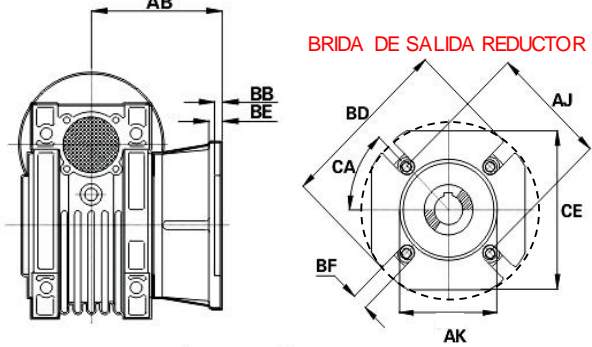
**POTENCIA**  
WORM GEARBOX



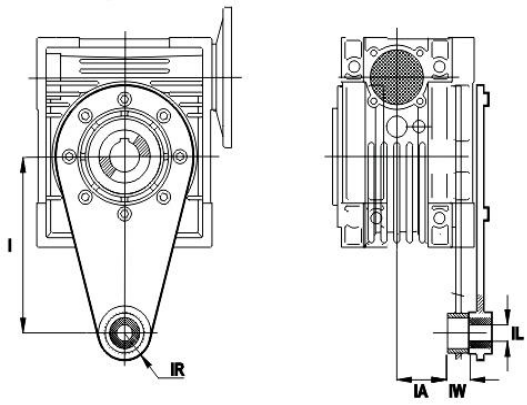
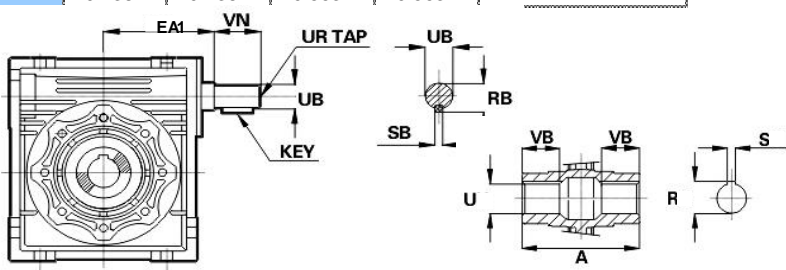
BRIDA NEMA C DE ENTRADA AL REDUCTOR



BRIDA DE SALIDA REDUCTOR

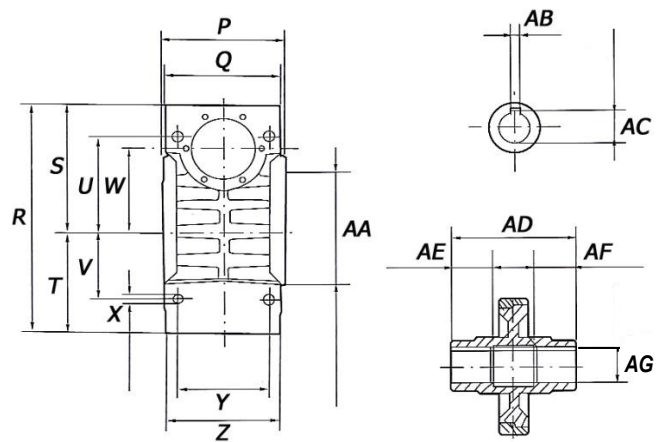
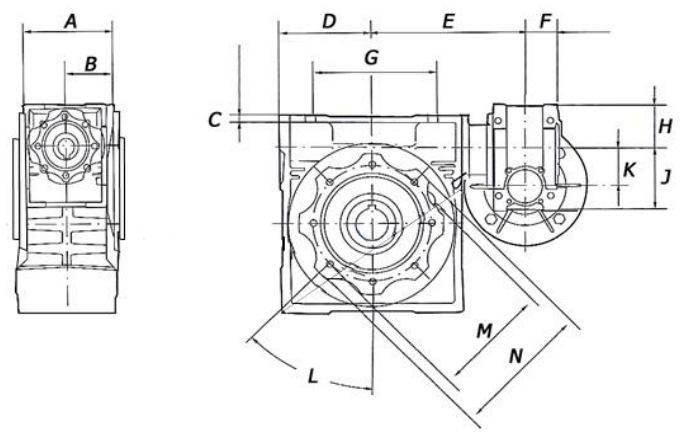


BRIDA C	C48-56	C143-145	C182-184	C213-215	DIMENSIONES BRIDAS NEMA C EN PULGADAS
AJ2	5.875 "	5.875 "	7.25 "	7.25 "	
BB2	0.20 "	0.20 "	0.25 "	0.25 "	
BD2	6.50 "	6.50 "	9.00 "	9.00 "	
AK2	4.50 "	4.50 "	8.50 "	8.50 "	
BF2	0.438 "	0.438 "	0.563 "	0.563 "	

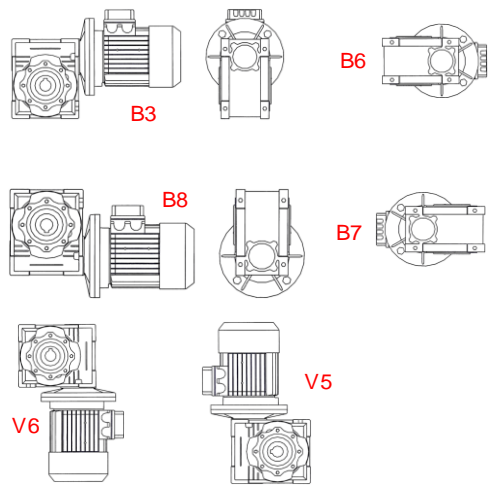


**DIMENSIONES GENERALES REDUCTORES DOBLE REDUCCION**

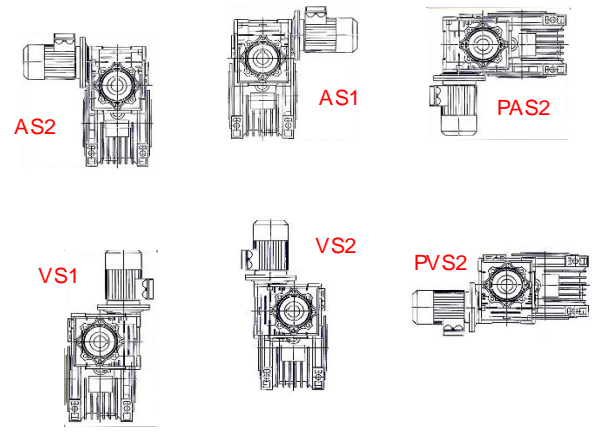
	TAMAÑO DEL REDUCTOR PMRV/PMRV, XDRV/XDRV			
	50/75	50/90	50/110	63/110
A	120	120	120	144
B	56	65	72	72
C	10	11	15	15
D	86	103	127.5	127.5
E	184.5	203.5	226	230
E	175.0	190.0	220	230
F	43.5	43.5	43.5	53
G	120	140	170	170
H	60	60	60	72
J	84	84	84	102
K	50	50	50	63
L	45°	45°	45°	45°
M	115	130	165	165
N	140	160	190	190
P	120	140	155	155
Q	114	134	148	148
R	205	238	295	295
S	119	135	167.5	167.5
T	86	103	127.5	127.5
U	93	102	125	125
V	60	70	85	85
W	75	90	110	110
X	11.5	13	14	14
Y	90	100	115	115
Z	112	130	144	144
AA	95 h8	110 h8	130 h8	130 h8
AB	8	10	12	12
AC	31	38	45	45
AD	120	140	155	155
AE	40	45	49	49
AF	40	45	49	49
AG	28 H8	35 H8	42 H8	42 H8



**POSICIONES DE MONTAJE SIMPLE REDUCCION**



**POSICIONES DE MONTAJE DOBLE REDUCCION**



Las posiciones de montaje V5, V6, VS1, VS2 y PAS2 requieren modificaciones en los baleros y en el sinfín para evitar problemas de lubricación que ocasionarían la destrucción del equipo en caso de no tomarse en consideración en el momento de la compra del reductor.

OFICINAS:  
Colina de las Monjas 94  
Boulevares, Naucalpan  
CP 53140 Estado de México

TALLER Y ENSAMBLE:  
Guillermo Barroso 32  
Frac. Industrial Las Armas  
Tlanepantla, Estado de México

TELEFONOS  
TEL: (55)5360-4403 con 11 líneas  
FAX: (55)5360-5063  
Lada sin costo 01-800-024-1213  
www.potenciaelectromecanica.com  
emonzon@potenciaelectromecanica.com